

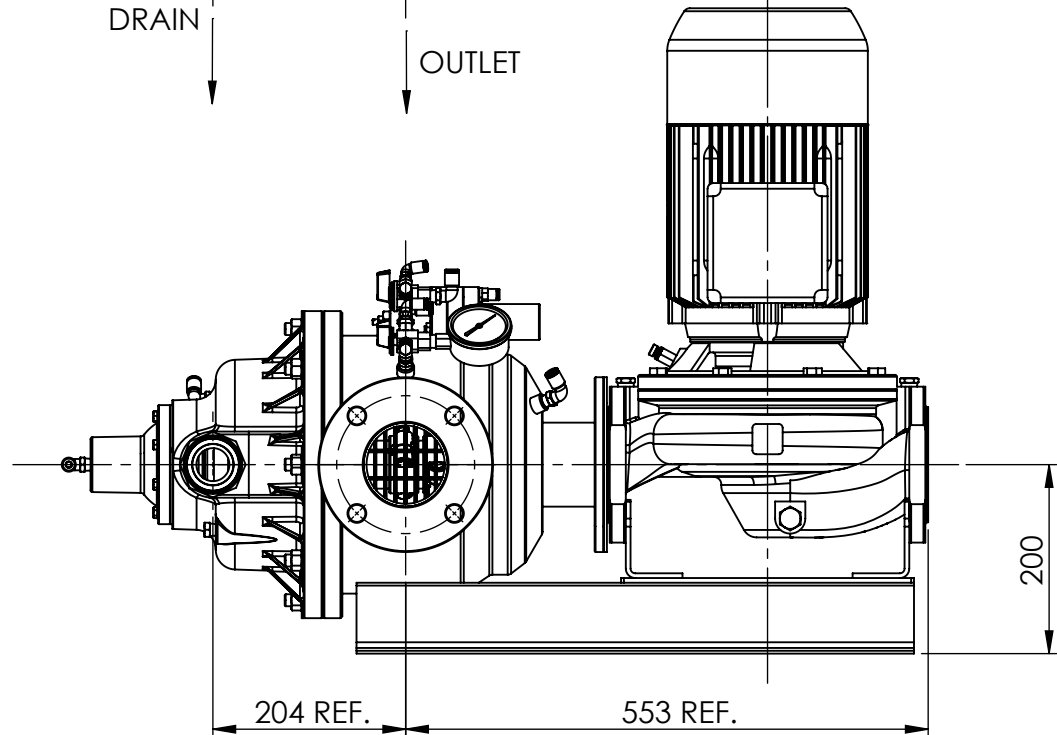
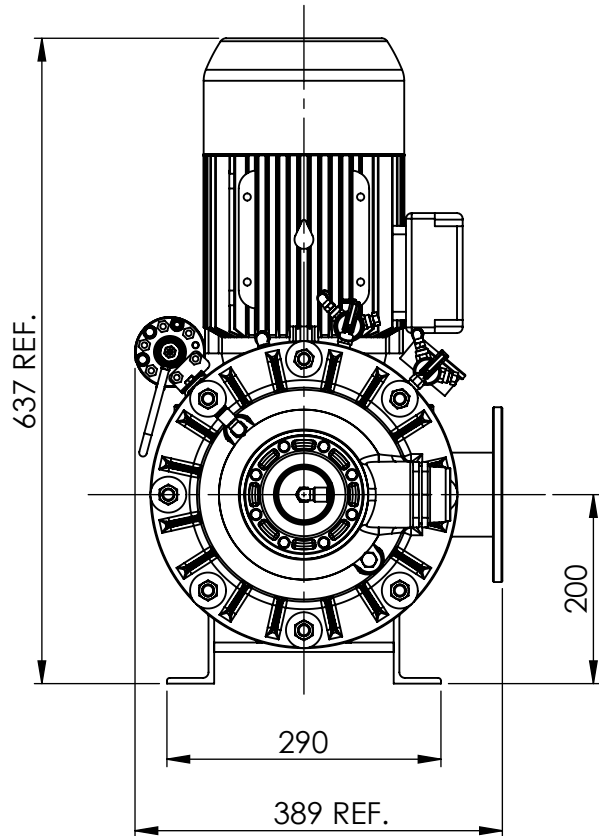
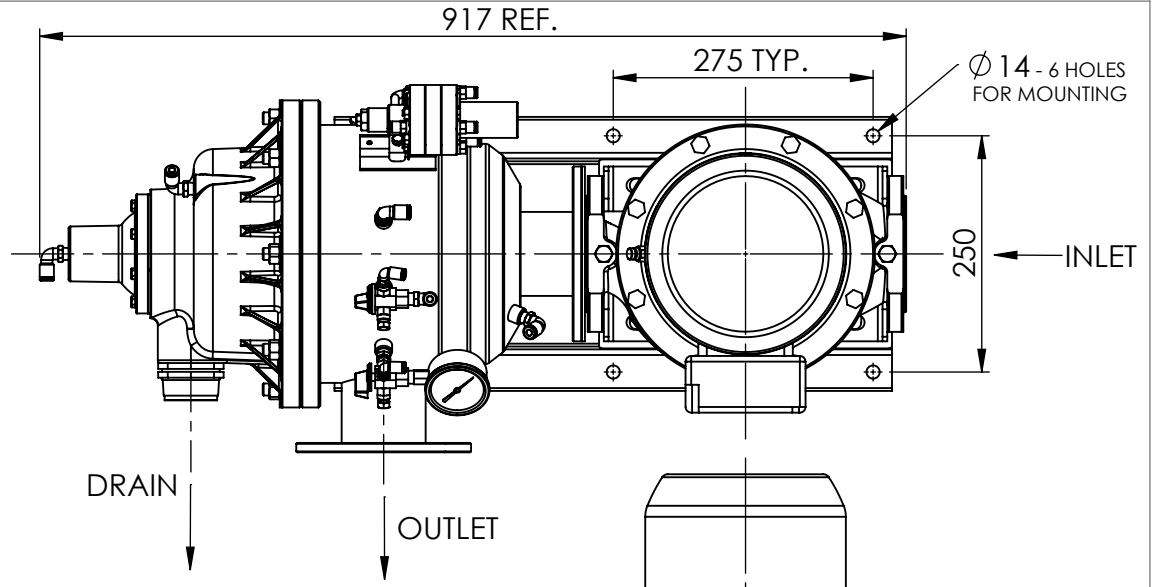
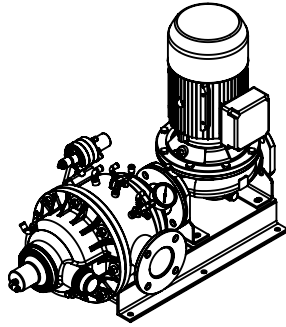
TECHNICAL DATA:

Flow: 40 m³/hour (11 l/sec.)
 Min. Line Size: 80 mm
 Pump Motor: 4 kW, 415 V, 50 Hz
 Educator Nozzles: 6 ~ 12

Inlet: PN16 DN65 Flange
 Outlet: 3" Table-E Flange
 Drain: 2" BSPT Male

Max. Operating Pressure: 10 bar
 Max. Operating Temperature: 65°C

Approximate Weight: Empty - 94 kg
 Full of Water - 117 kg



	NAME	DATE
DRAWN	YW	11/11/2011
CHECKED		
ENG APPR.		
MFG APPR.		
Q.A.		



PROPRIETARY AND CONFIDENTIAL
 THE INFORMATION CONTAINED IN THIS DRAWING IS THE SOLE PROPERTY OF FILTAWORX PTY. LTD. ANY REPRODUCTION IN PART OR AS A WHOLE WITHOUT THE WRITTEN PERMISSION OF FILTAWORX PTY. LTD. IS PROHIBITED.

		MATERIAL	AS SHOWN
			DETAIL DRAWINGS
NEXT ASSY	USED ON	FINISH	
APPLICATION		DO NOT SCALE DRAWING	

TITLE
**FW080F/SM4
 PUMP - FILTER SET**

DIMENSIONS ARE IN mm
 TOLERANCES: ±0.25 MACHINING
 ±0.25° ANGULAR
 UNLESS OTHERWISE SPECIFIED

SIZE	DWG. NO.	REV.
A4	31002 - GA	0
SCALE: N.T.S.	WEIGHT: approx. 94 kg	SHEET: 1 OF 1